



INSTRUCTION MANUAL FOR MODEL SDT

## **SOILED DISH TABLE (SCRAPPING TABLE)**

# TABLE OF CONTENTS

## INSTRUCTION MANUAL FOR MODEL - SDT SOILED DISH TABLE

<b>1. OPERATING INSTRUCTIONS</b>	<b>3</b>
1.1. HIP SWITCH	3
1.2. ACCUMULATION SWITCH	4
1.3. AUTO PLATE RINSE STATION	4
1.4. HOSE CLEAN UP STATION	5-6
<b>2. TROUBLESHOOTING</b>	<b>7</b>
2.1. HIP SWITCH	7
2.2. ACCUMULATION SENSOR	8
2.3. HOSE CLEAN UP STATION	9
2.4. AUTO PLATE RINSE STATION	10
<b>3. MODEL SDT- SCRAPPING TABLE PARTS</b>	<b>11-12</b>
<b>4. WARRANTY FOR SCRAPPING TABLE</b>	<b>13-14</b>

# INSTRUCTION MANUAL FOR MODEL- SDT SOILED DISH TABLE

## 1. OPERATING INSTRUCTIONS

A soiled dishtable is frequently equipped with a double or single-slat belt busing conveyor. This conveyor carries dish racks and/or stacked dishware to the dish machine. It is normally stationary and only incrementally advanced for efficient accumulation of product.

The conveyor is controlled by operating staff and advanced by a hip or knee switch; one for each station on the table.

### 1.1. HIP SWITCH

The hip switch flap, when depressed by an operator will advance the conveyor as long as the flap is held. The conveyor stops when the flap is released. This function helps the operator to clear a space on the conveyor and achieve maximum accumulation.

When the conveyor is full, the accumulation switch (see below) at the drive end of the conveyor will be activated. This overrides the hip switches and turns over control to the operator loading the dish machine.

The remote switch has a selector that when set to RUN allows the loader to control the conveyor.

When returned to the AUTO position, (when conveyor is cleared of dishware), control of the conveyor is returned to the hip switches.



*Hip Switch  
Operation*

Figure 1.0

## 1.2. ACCUMULATION SWITCH

The accumulation switch is integrated with the hip switches to control operation of the conveyor. It is located at the termination of the conveyor. When the conveyor is full of product, it advances until the accumulation switch is activated by a rack or stack of dishware and stops the conveyor. This overrides the hip switches and when an operator removes product at the termination of the conveyor, it will automatically advance to purge the system.

## 1.3. AUTO PLATE RINSE STATION



*Plate Rinse Station*

Figure 2.0

Systems equipped with the auto plate rinse (one at each work station) enjoy an efficient and economical means of rinsing dishware. It provides a one-handed operation saving time and water usage; the unit only being on when a plate activates the sensor.

Using the Auto Plate Rinse station:

- Turn on the water supply located on the front of the scrapping table.
- All the controls for the 'Plate Rinse Station' are automatic and 'Plate Rinse Station' is always in automatic mode. For functioning of the auto plate rinse station you just have to open the shut off valve located on the spray head which will activate only when an object is placed under the sensor.



- Daily clean up includes wiping down the photo-electric eye using a non-abrasive cloth.

#### 1.4. HOSE CLEAN-UP STATION

The Hose Clean-Up Station Is designed to aid the operator during routine cleaning. Each station is equipped with a 30' long heavy-duty wash down hose and a heavy-duty spray head mounted on a stainless steel swivel bracket. After cleaning, the hose can be spooled back on the swivel bracket.



*Hose Clean up Station*  
Figure3.0

General instructions for using the hose clean-up station:

1. Before using the hose from the clean-up station, make sure that the water supply in the plumbing cabinet is available and there are no twists in the hose.
2. While spooling up the hose, ensure that there are no twists or kinks in the hose.

## TROUBLESHOOTING

### 2.1. HIP SWITCH

PROBLEM	PROBABLE CAUSE	SOLUTION
1. When hip switch is depressed, the conveyor does not run`	The main control switch is in the 'OFF' position	Make sure that the main control switch is in the 'ON' position
	Fuse is blown in the main control panel	Check the fuse and the relay located in the main control panel. Try to run the unit using the controls located on the main control panel.
	Check to ensure the accumulation switch is not engaged. (When engaged, the hip switches are inoperative).	Remove the accumulated dishware.

## 2.2. ACCUMULATION SENSOR

PROBLEM	PROBABLE CAUSE	SOLUTION
<p>2. Accumulation sensor is not stopping trays.</p>	<p>Sensor light might be dirty.</p> <p>Sensor didn't get power.</p> <p>Defective sensor.</p>	<p>Wipe the lens with a clean cloth.</p> <p>Check the green light on sensor turned on. Check sensor wiring</p> <p>The green light will be turned to orange when place object in front of the sensor. If not please contact Aerowerks.</p>



### 2.3 HOSE CLEAN-UP STATION

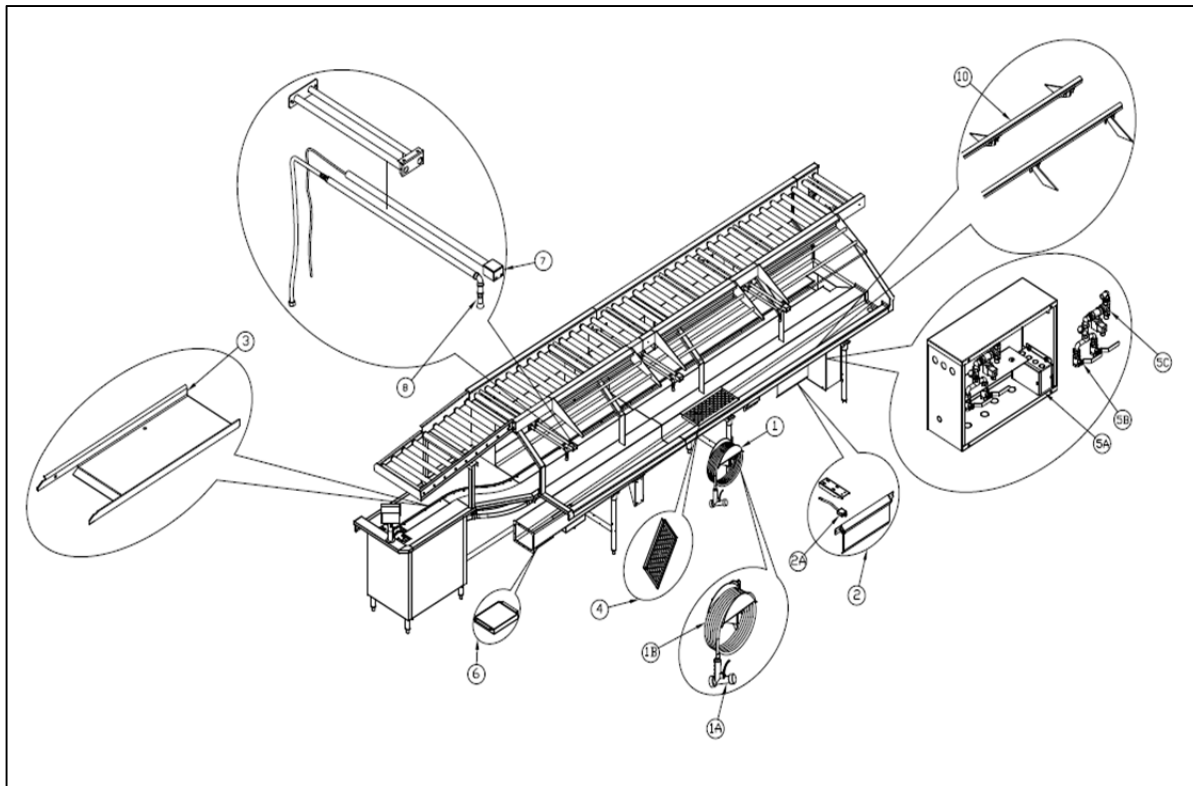
<b>PROBLEM</b>	<b>PROBABLE CAUSE</b>	<b>SOLUTION</b>
Not enough water pressure	The supply is not exclusive. This may cause drop in the pressure due to the branching off to other lines.  On-Off valves are not fully open.	Check to make sure that the water supply is exclusive to the hose station  Ensure all valves are fully open.

## 2.4 AUTO PLATE RINSE STATION

<p>Water does not spray when a dish is put under the sensor</p>	<p>Water supply is not turned on.</p> <p>Sensor lens is soiled</p> <p>Sensor is not seeing the object.</p>	<p>Ensure the water supply is turned on.</p> <p>Ensure the 'AUTO PLATE RINSE' is set to AUTO at the main control panel.</p> <p>Clean the sensor lens with a soft cloth</p> <p>The sensor head may be mis-aligned and requires an adjustment. Loosening the set collar that holds the sensor and then changing its position will accomplish this.</p>
	<p>Fuses are blown.</p> <p>Sensor is not working.</p>	<p>Check and replace the fuses.</p> <p>Check the relays located in the main control panel and replace.</p> <p>Please contact Aerowerks sensor.</p>



### 3. MODEL SDT- SOILED DISH TABLE PARTS



## SDT - SCRAPPING DISHTABLE PARTSLIST

<b>PART NUMBER</b>	<b>DESCRIPTION</b>
SDT1	Hose reel assembly
SDT1A	Spray gun
SDT1B	Hose 30 feet long
SDT2	Hip switch assembly including actuator plate
SDT2A	Hip switch
SDT3	1" square snap-on plastic wear guide
SDT4	Perforated plate ledges
SDT5A	Plumbing valve Assembly 1 (with solenoid control valve)
SDT5B	Plumbing valve Assembly 2 (with manual control valve)
SDT5C	Solenoid valve 24 Vdc
SDT6	Small magnet mounted under trough with cover size (9-7/8"X6-3/4")
SDT 7	Photo sensor
SDT 8	Spray head
SDT9	Vacuum breaker
SDT10	E-Z Glide trav slides assembly

## **4. WARRANTY FOR SCRAPPING DISH TABLE**

### **AEROWERKS INC. LIMITED WARRANTY, SERVICE & PARTS POLICY**

#### **4.1 WARRANTY PERIOD**

Aerowerks warrants its products to the original purchaser against any defects in material and workmanship, under normal use and service for a period of one year after the date of installation. Such installation must be performed by Aerowerks personnel or an Aerowerks authorized agent.

#### **4.2 GENERAL**

Aerowerks will not cover for damage to electrical/mechanical equipment on conveyors due to power surges, water damage (due to building plumbing leaks or improper equipment maintenance) & electrical overloads.

Aerowerks is not liable for damage caused by faulty installation, mechanical or electrical failure caused by unauthorized alteration, misuse or abuse of the equipment.

Liability or obligation in connection with the products of Aerowerks is limited to the products covered in this warranty.

This warranty is exclusive and in lieu of any other warranty, either written or oral and whether express or implied.

This warranty is limited to the United States and Canada.

In no event shall Aerowerks be liable for incidental, indirect or consequential damage whether caused by use, misuse, or defects in the product.

#### **4.3 CUSTOMER RESPONSIBILITY**

In addition to complying with all suggested maintenance guidelines and instructions, owner's obligation shall include but not be limited to: operating the equipment in accordance with the owner's manual or any other additional instructions given at time of installation or in subsequent communications provided by Aerowerks or its authorized agent.

The owner shall exhibit reasonable care in the use, operation, maintenance and general upkeep of the equipment. Failure to comply with these requirements will void any applicable warranty.

#### **4.4 HOW TO HANDLE A WARRANTY CALL**

Please contact Aerowerks Customer Support Staff at 1-888-774-1616 ext. 0 for all concerns regarding Aerowerks equipment or email at [Aman Singh <aman@aero-werks.com>](mailto:Aman Singh <aman@aero-werks.com>). Hours of operation are 8:00 am to 4:30 pm EST.

**Do not contact Hobart Service:** Hobart Service is our authorized service agent and will only perform warranty service with a valid purchase order and authorization from Aerowerks. Contacting us directly will speed up the process of your warranty concern to minimize downtime. If you require after hours emergency service then call Hobart Service. In the event that Hobart Service has scheduled a service call without prior notification to Aerowerks they must notify Aerowerks and request a valid purchase order from Aerowerks during our normal business hours before invoicing Aerowerks.

#### **Scrapping Dish Table**

The following items are not covered under this warranty:

Normal wear on parts and clogged drains are not covered under this warranty. Aerowerks is not liable for any faulty installation or damage caused to the showerheads and photo sensors by unauthorized alteration, misuse or abuse of the equipment.

**Hoses and Plumbing Connections –** Any leaks from hoses or Aerowerks plumbing connections are covered under warranty as long as they are detected within the first month of the conveyor being installed/operated. Any leaks detected thereafter are deemed to be caused by abuse or misuse & are not covered. Customer will be responsible to replace the parts and service charges. Please ensure your staff is trained in proper operating and maintenance procedure.

