

LEGEND FOR FINAL MECHANICAL & ELECTRICAL CONNECTIONS

| | |
|--|---|
| | 1/2" HOT & COLD WATER SUPPLY ~6 A.F.F. |
| | 1 1/2" DRAIN ~12 A.F.F. |
| | POWER SUPPLY 15A/200V/2#/60Hz (ACTUAL LOAD 6.66A) ~24" A.F.F. |

- NOTES:**
1. ALL ROUGH-INS TO STUB UP & CAP OFF NO HIGHER THAN 4" A.F.F.
 2. FINAL MECHANICAL CONNECTIONS TO DRAINS AND WATER SUPPLIES BY OTHERS.
 3. FINAL ELECTRICAL CONNECTION TO MAIN CONTROL CENTRE BY OTHERS
 4. RECIRCULATING WATER LINE MOUNTED UNDER SOILED DISHWASHER BY OTHERS
 5. FIELD WIRING OF CONVEYORS @ TIME OF INSTALLATION CENTRE BY AEROWERKS @ TIME OF INSTALLATION
 6. CUSTOMER TO PROVIDE SIZES OF ALL TRAYS

SCALE IN FT.

0 1 2 3 4 5

ALL DIMENSIONS, PLANS AND ELEVATIONS ARE TO FACE UNLESS OTHERWISE SPECIFIED. THE DRAWING IS TO BE USED FOR CONSTRUCTION AND NOT FOR THE DETERMINATION OF CONTRACT PRICES. THE CONTRACTOR SHALL BE RESPONSIBLE FOR OBTAINING ALL NECESSARY PERMITS AND APPROVALS FROM THE APPROPRIATE AGENCIES. THE CONTRACTOR SHALL BE RESPONSIBLE FOR OBTAINING ALL NECESSARY PERMITS AND APPROVALS FROM THE APPROPRIATE AGENCIES. THE CONTRACTOR SHALL BE RESPONSIBLE FOR OBTAINING ALL NECESSARY PERMITS AND APPROVALS FROM THE APPROPRIATE AGENCIES.

| | | | | | |
|----------|------------|------------------|-------------|----|------------|
| REVISION | DATE | GENERAL REVISION | DESCRIPTION | BY | CHECKED BY |
| 1 | JANUARY 01 | | | | |

AEROWERKS

1150 Eighth Line, Unit 16, Oakville, Ontario L6H 2R4
Tel: (905) 844-9449 Fax: (905) 844-0042

CUSTOMER: BMW ASSEMBLY PLANT/SPARTANBURG, SC

TITLE: SOILED TRAY HANDLING SYSTEM

DATE: DECEMBER 8, 2000

SCALE: 1/2" = 1'-0"

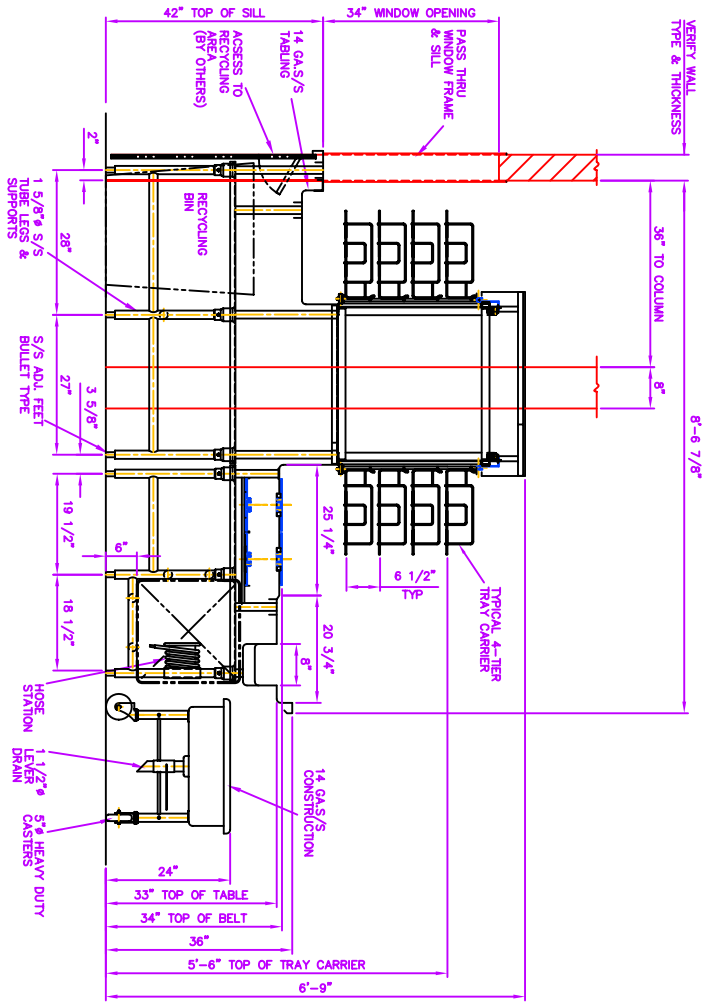
DRAWN BY: GIKRUPETSKY

CHECKED BY:

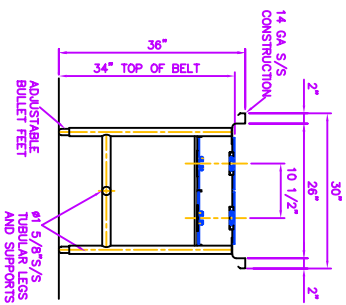
JOB NO.: J006718

DRAWING NO.: 01





SECTION A



SECTION B



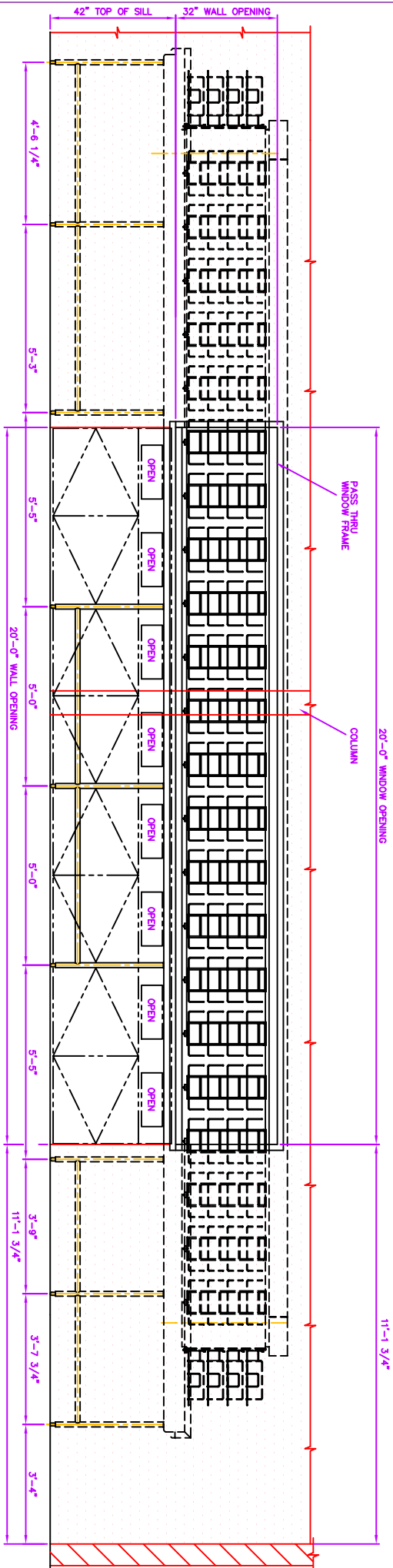
| | | | |
|----------|-------------|------------------|-----|
| REVISION | DATE | DESCRIPTION | BY |
| 1 | JAN. 04, 01 | GENERAL REVISION | GJK |

CUSTOMER: BMW ASSEMBLY PLANT, SPARTANBURG, SC
 1150 Eighth Line, Unit 18, Oakville, Ontario L6H 2R4
 Tel: (905) 844-9449 Fax: (905) 844-0042

JOB NAME: SOILED TRAY HANDLING SYSTEM
 TITLE: CROSS SECTIONS
 DATE: DECEMBER 8, 2000
 SCALE: 1" = 1'-0"

DRAWN BY: GARUPETSKY
 CHECKED BY:
 JOB NO: J006718
 DRAWING NO: 02





ELEVATION C
113



0 1 2 3
SCALE IN FT.

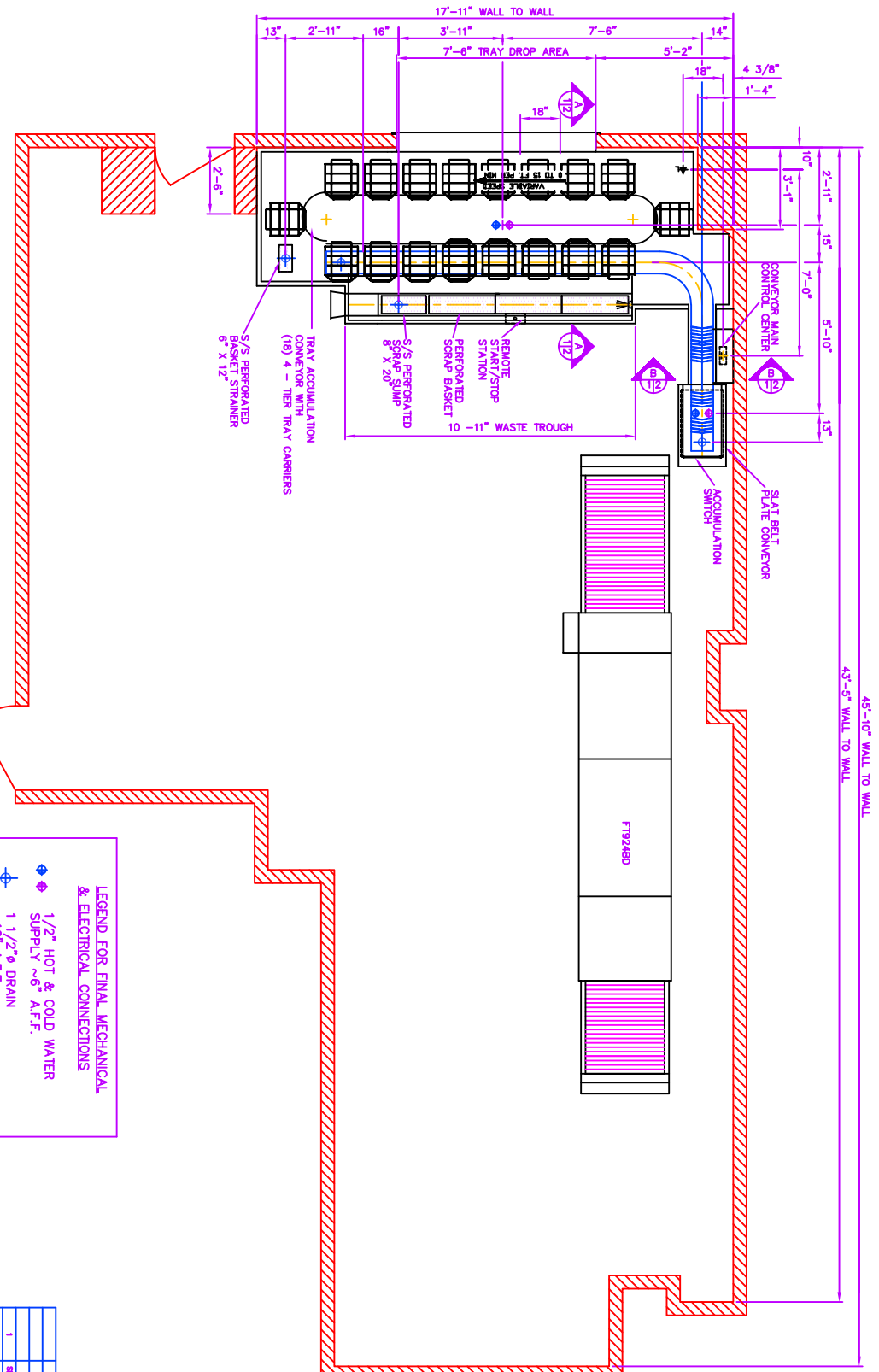
| REVISION | DATE | BY | DESCRIPTION |
|----------|-------------|----|------------------|
| 1 | JAN. 03, 01 | | GENERAL REVISION |

AEROWERKS
 1150 Eighth Line, Unit 16, Oakville, Ontario L6H 2R4
 Tel: (905) 844-9449 Fax: (905) 844-0042

JOB NAME: BMW ASSEMBLY PLANT SPARTANBURG, SC
 TITLE: SOLED TRAY HANDLING SYSTEM
 DATE: DECEMBER 13, 2000
 SCALE: 3/4" = 1'-0"
 DRAWN BY: GARUPETSKY
 CHECKED BY:

JOB NO: J006718
 DRAWING NO: 03

ALL DEALS, DESIGNS, PLANS AND REVISIONS INDICATED BY AND ARE THE PROPERTY OF AEROWERKS AND ARE TO BE USED ONLY IN CONNECTION WITH THE PROJECT AND NOT BE LOANED, REPRODUCED, COPIED, OR IN ANY MANNER DISSEMINATED WITHOUT THE WRITTEN PERMISSION OF AEROWERKS.



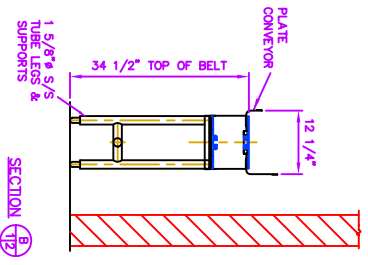
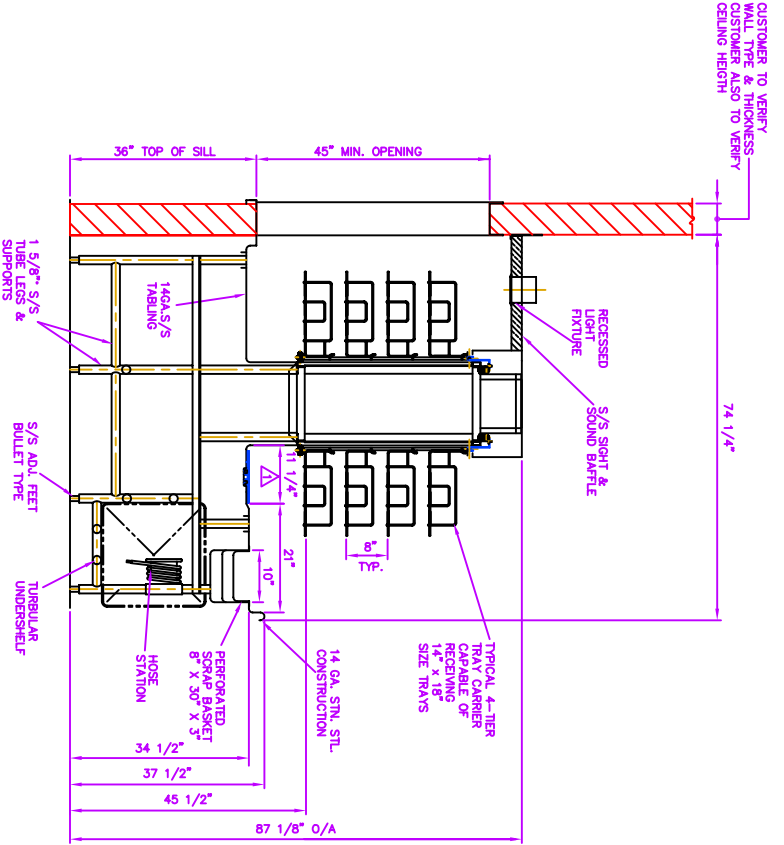
- NOTES:**
1. ALL ROUGH-INS TO STUB UP & CAP OFF.
 2. NO HIGHER THAN 4" A.F.F.
 3. FINAL MECHANICAL CONNECTIONS TO DRAINS AND WATER SUPPLIES BY OTHERS.
 4. FINAL ELECTRICAL CONNECTION TO MAIN CONTROL CENTRE BY OTHERS.
 5. RECIRCULATING WATER LINE MOUNTED UNDER SOILED DISHABLE TO PULPER BY OTHERS.
 6. FIELD WIRING OF CONVEYORS TO MAIN CONTROL CENTRE BY AEROWERKS @ TIME OF INSTALLATION.
 7. CUSTOMER TO PROVIDE SIZES OF ALL TRAYS TO BE USED ON THIS SYSTEM.

LEGEND FOR FINAL MECHANICAL & ELECTRICAL CONNECTIONS

- 1/2" HOT & COLD WATER SUPPLY ~6" A.F.F.
- 1 1/2" Ø DRAIN ~12" A.F.F.
- POWER SUPPLY 19A/208V/1Ø/60Hz (FULL LOAD 5.6A) ~48" A.F.F.
- LIGHT FIXTURE POWER SUPPLY 120V/15A/1Ø/50Hz (~84" A.F.F.)
- LIGHT SWITCH LOCATION BY E.C.

| | | | |
|---|-----------------------------|---------------------------|------------------|
| 0 1 2 3 4 5 | | | |
| SCALE IN FT. | | | |
| REVISION | DATE | DESCRIPTION | BY |
| 1 | 08/12/00 | REVISED AS PER FLOOR PLAN | G.K. |
| AEROWERKS 2150 Weston Park Dr., Units 13-15, Oakville, Ontario L6H 5V1 Tel: (905) 855-2121 Fax: (905) 855-2718 | | | |
| CUSTOMER: | PURCHASE ORDER NO.: | | |
| JOB NAME: | LUCENT TECHNOLOGIES | | |
| TITLE: | SOILED TRAY HANDLING SYSTEM | | |
| DATE: | AUGUST 4, 2000 | | |
| SCALE: | 1/2" = 1'-0" | | |
| DRAWN BY: | GABRUFETSKY | | JOB NO. J0006549 |
| CHECKED BY: | | | DRAWING NO. 01 |





SECTION 12

SECTION 12



0 6 12 18 24
SCALE IN INCHES

| | | | |
|----------|------------|-------------|----|
| REVISION | DATE | DESCRIPTION | BY |
| 1 | AUG. 4, 00 | 11 1/4\"/> | |

AEROWERKS
1150 Eighth Line, Unit 16, Oakville, Ontario L6H 2R4
Tel: (905) 844-9449 Fax: (905) 844-0042

CUSTOMER: LUCCENT TECHNOLOGICS
JOB NAME: SOLED TRAY HANDLING SYSTEM
TITLE: PLAN VIEW
DATE: AUGUST 4, 2000
SCALE: 1\"/>

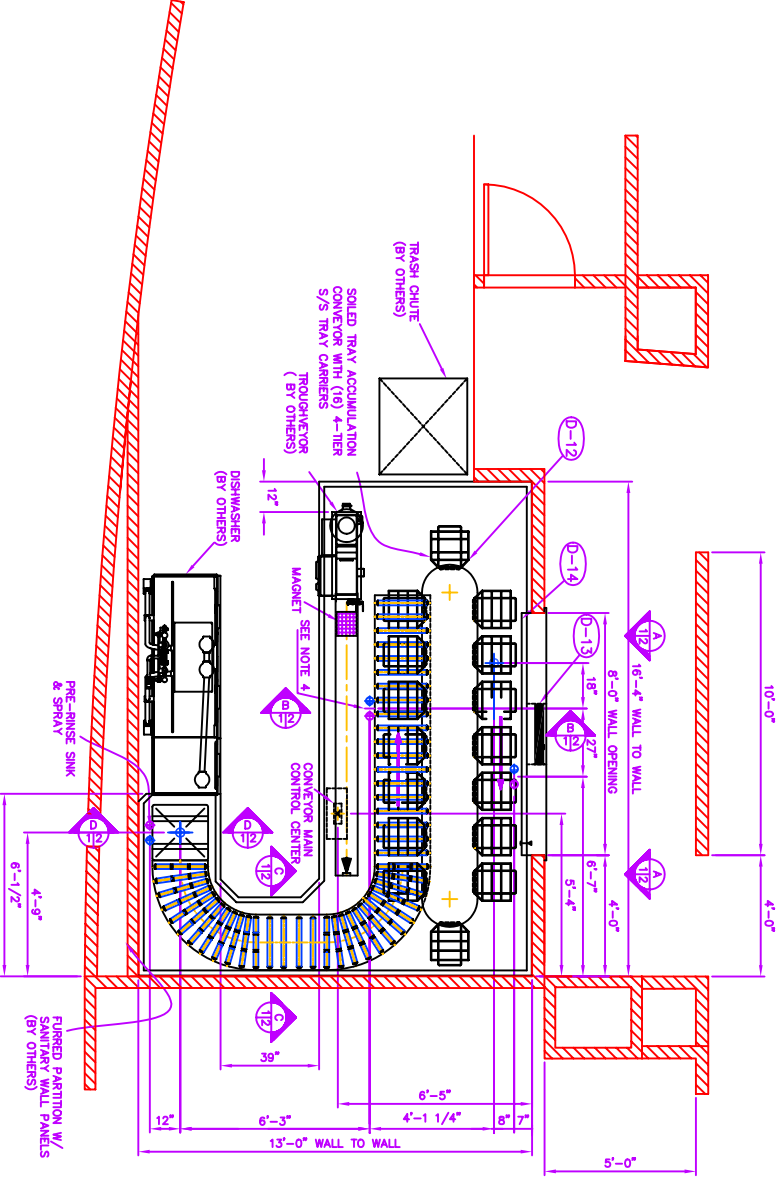
CUSTOMER TO VERIFY
DISTANCE & THICKNESS
CUSTOMER TO VERIFY
CEILING HEIGHT

JOB NO: J006549
DRAWING NO: 02

ALL DIMENSIONS INDICATED
BY AND ARE THE PROPERTY OF
IUL AND ARE TO BE USED FOR
DESIGN AND CONSTRUCTION
ONLY. ANY AND ALL CONNECTIONS
AND DIMENSIONS SHALL BE
AS SHOWN ON THE DRAWING.
PERMISSION OF AEROWERKS.

| ITEM NO. | QTY. | DESCRIPTION |
|----------|------|----------------------------------|
| D-12 | 1 | TRAY ACCUMULATOR, SOILED |
| D-13 | 1 | ACCESS DOOR (PART OF D-12) |
| D-14 | 1 | SHUTTER ROLL-DOWN (PART OF D-12) |

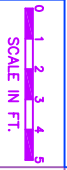
EQUIPMENT LIST BY AEROWERKS



LEGEND FOR FINAL MECHANICAL & ELECTRICAL CONNECTIONS

- 1/2" HOT & COLD WATER SUPPLY ~6" A.F.F.
- ⊕ 1 1/2" G.P.R.N. ~12" A.F.F.
- ⚡ POWER SUPPLY 15A/208V/1ϕ/60Hz (FULL LOAD 3.3A) ~24" A.F.F.

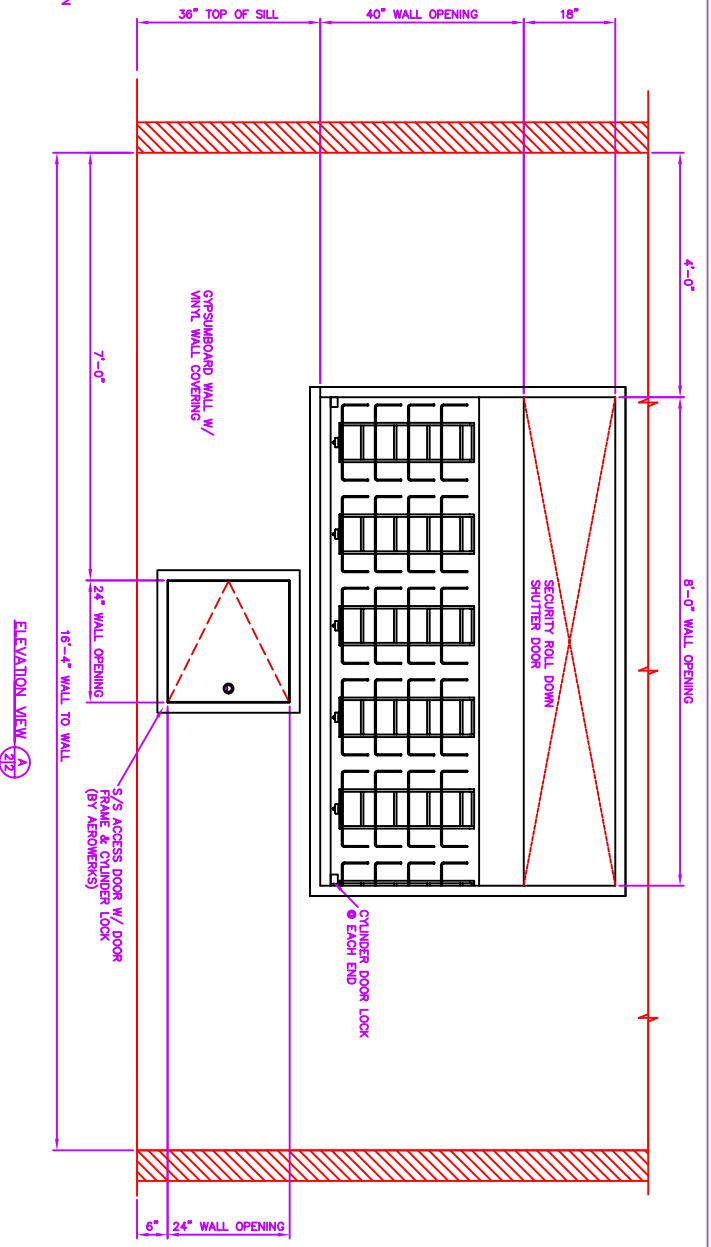
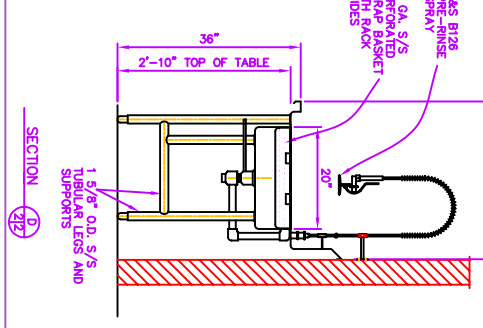
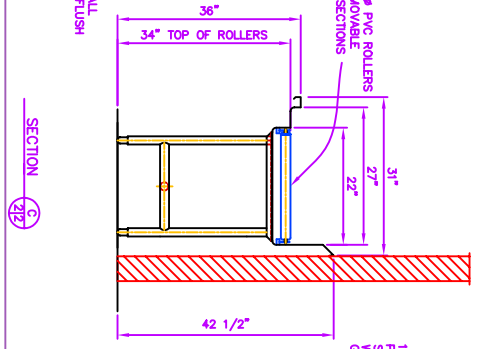
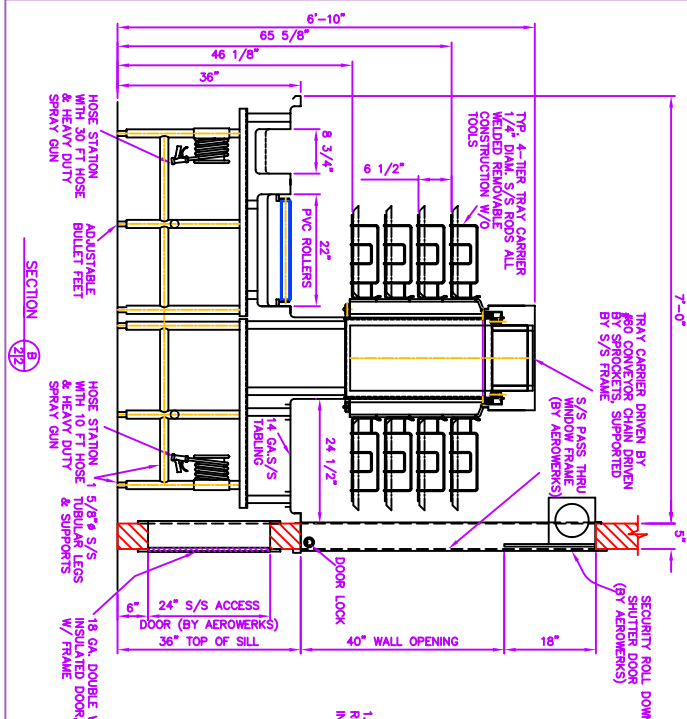
- NOTES:**
1. ALL ROUGH-INS TO STUB UP & CAP OFF NO HIGHER THAN 4" A.F.F.
 2. FINAL MECHANICAL CONNECTIONS TO DRAINS AND WATER SUPPLIES BY OTHERS.
 3. FINAL ELECTRICAL CONNECTION TO MAIN CONTROL CENTRE BY OTHERS
 4. CUSTOMER TO PROVIDE SEPARATE 1/2" H&C WATER SUPPLY TO HOSE CLEAN UP STATION TO MAINTAIN PROPER WATER PRESSURE
 5. FIELD WIRING OF CONVEYORS TO MAIN CONTROL CENTRE BY AEROWERKS @ TIME OF INSTALLATION
 6. CUSTOMER TO PROVIDE SIZES OF ALL TRAYS TO BE USED ON THIS SYSTEM



| | | | |
|---|----------------------------------|-------------------|------|
| <p>ALL BEAS, BESSON, PLANS AND AMMUNITIONS INDICATED BY AND ARE THE PROPERTY OF AEROWERKS. ANY REVISIONS AND CHANGES TO BE MADE MUST BE MADE BY AEROWERKS. ANY PERSON, CORPORATION OR FIRM WHOSE NAME IS LISTED ON THIS DRAWING HAS AGREED TO BE BOUND BY THE TERMS AND CONDITIONS OF THE LICENSE AGREEMENT OF AEROWERKS.</p> | | | |
| CUSTOMER: | GARDNER & BENOT, INC. | | |
| JOB NAME: | TIAA CREF | | |
| TITLE: | ITEMS D-12, D-13, D-14 PLAN VIEW | | |
| DATE: | FEB. 22, 2002 | | |
| SCALE: | 1/2" = 1'-0" | | |
| DRAWN BY: | K. ESTEVANOS | | |
| CHECKED BY: | | | |
| REVISION | NO. DATE DESCRIPTION | BY | |
| 2 | NOV. 21, 02 | GENERAL REVISIONS | K.E. |
| 1 | NOV. 7, 02 | GENERAL REVISIONS | K.E. |

AEROWERKS
 1150 Eighth Line, Unit 16, Oakville, Ontario L6H 2R4
 Tel: (905) 844-9449 Fax: (905) 844-0042

JOB NO. J027512
 DRAWING NO. 01



UL **NSF**

0 6 12 18 24 30
SCALE IN INCHES

| REVISION | DATE | DESCRIPTION | BY |
|----------|-------------|-------------------|-----|
| 2 | NOV. 21, 02 | GENERAL REVISIONS | KLE |
| 1 | NOV. 7, 02 | GENERAL REVISIONS | KLE |

AEROWERKS

1150 Eighth Line, Unit 16, Oakville, Ontario L6H 2R4
Tel: (905) 844-9449 Fax: (905) 844-0042

CUSTOMER: GARDNER & BENNETT, INC. PACKAGE ORDER NO.

JOB NAME: T1AA CREF

TITLE: ITEMS D-12, D-13, D-14 ELEVATION VIEW & CROSS SECTIONS

DATE: FEB. 22, 2002

SCALE: 1" = 1'-0"

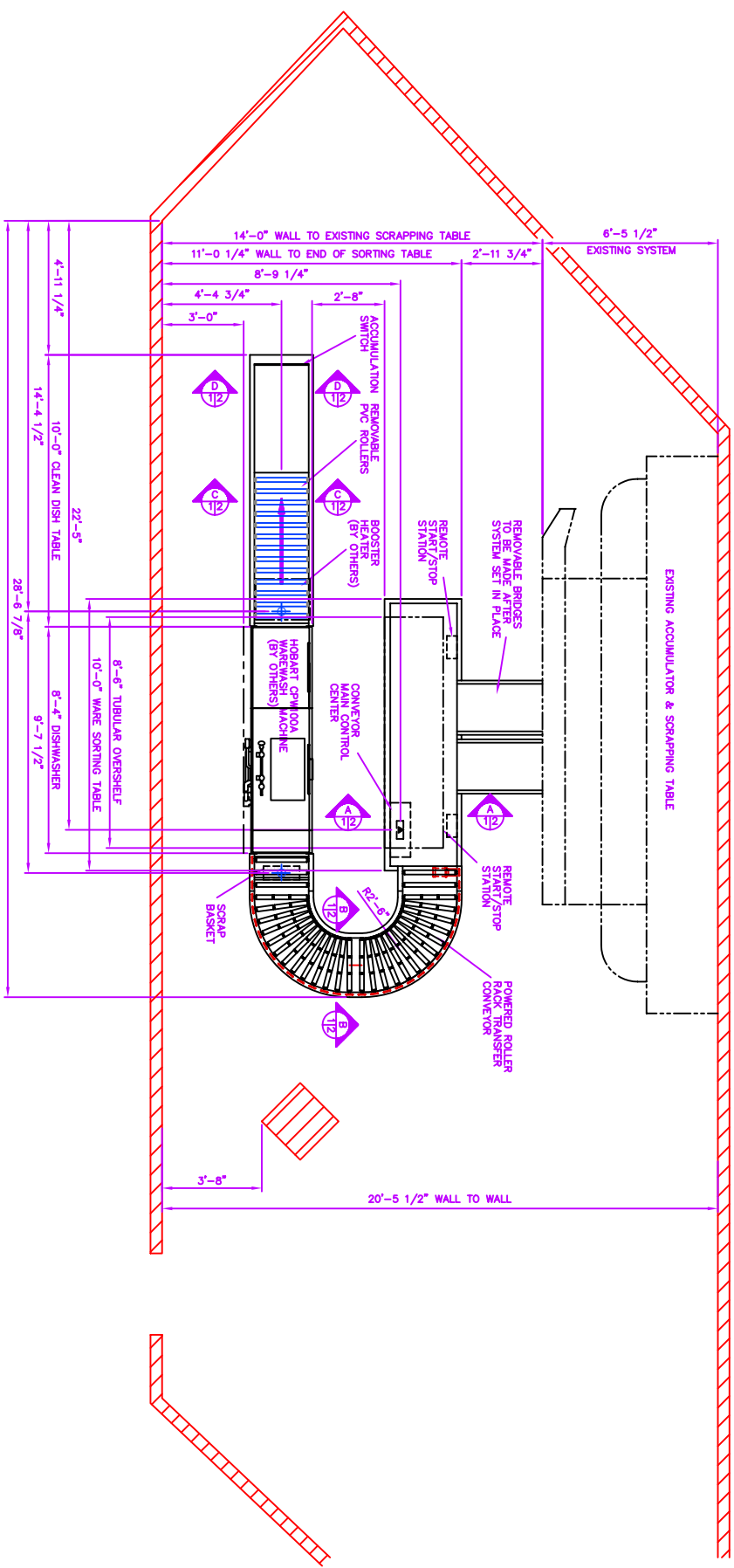
DRAWN BY: K. ESTEVAÑOS

CHECKED BY:

JOB NO. J027512

DRAWING NO. 02

ALL REVISIONS, REVISIONS, AND AMENDMENTS INDICATED BY THIS DRAWING ARE OWNED BY AEROWERKS AND WERE MADE IN CONSULTATION WITH THE PROJECT ARCHITECT. REVISIONS SHALL BE MADE BY ARCHITECTS TO BE RESPONSIBLE FOR ANY ERRORS, WHAT-EVER THE CAUSE, AND THE REVISIONS OF ARCHITECTS.



LEGEND FOR FINAL MECHANICAL & ELECTRICAL CONNECTIONS

1 1/2" A.F.F. DRAIN
 POWER SUPPLY 15A/208V/3Ø/60Hz (ACTUAL LOAD 1.4A) ~24" A.F.F.

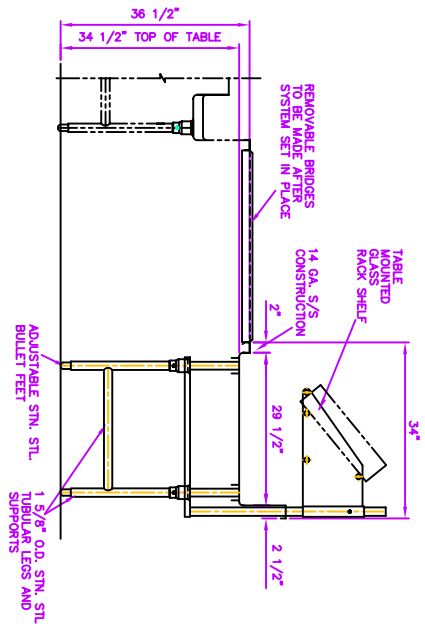
- NOTES:**
1. ALL ROUGH-INS TO STUB UP & CAP OFF NO HIGHER THAN 4" A.F.F.
 2. FINAL MECHANICAL CONNECTIONS TO DRAINS BY OTHERS
 3. FINAL ELECTRICAL CONNECTION TO MAIN CONTROL CENTER BY OTHERS
 4. FIELD WIRING OF CONVEYORS TO MAIN CONTROL CENTER BY AEROWERKS @ TIME OF INSTALLATION
 5. CUSTOMER TO PROVIDE SIZES OF ALL TRAYS TO BE USED ON THIS SYSTEM



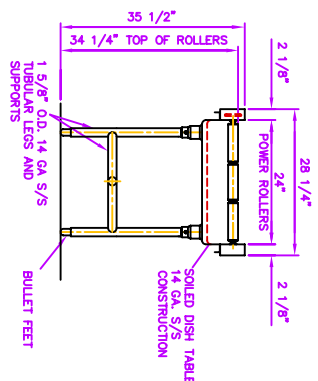
0 1 2 3 4 5
SCALE IN FT.

| | | | | | | | |
|------------|-----------------------------|------|-------------|--------|----------------------------|----|-----|
| REVISION | 1 | DATE | AUG. 08, 01 | REASON | ISSUED AS FIELD DIMENSIONS | BY | SLK |
| CUSTOMER | NCR HEADQUARTERS | | | | | | |
| JOB NAME | SOILED TRAY HANDLING SYSTEM | | | | | | |
| TITLE | PLAN VIEW | | | | | | |
| DATE | JULY 19, 2001 | | | | | | |
| SCALE | 1/2" = 1'-0" | | | | | | |
| DRAWN BY | GKRUPETSKEY | | | | | | |
| CHECKED BY | DRAWING NO. J016983 | | | | | | |
| | 01 | | | | | | |

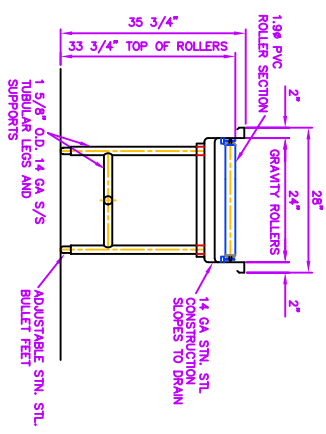
AEROWERKS
 1150 Eighth Line, Unit #16, Oakville, Ontario L6H 2R4
 Tel: (905) 844-9449 Fax: (905) 844-0042



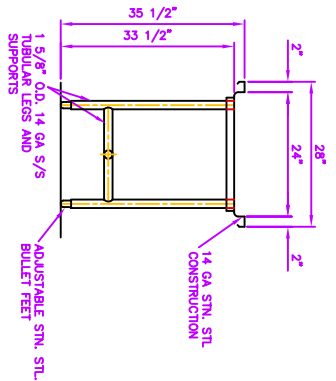
SECTION A



SECTION B



SECTION C



SECTION D

SCALE IN INCHES
 0 6 12 18 24 30

| | | | | | | | |
|--|---|-----------------------------|---------------------------------|------|-------------|----|------|
| REVISION | 1 | AUG. 04. 01 | REVISED AS PER FIELD DIMENSIONS | DATE | DESCRIPTION | BY | CHK. |
| <p>AEROWERKS 1150 Eighth Line, Unit 16, Oakville, Ontario L6H 2R4 Tel: (905) 844-9449 Fax: (905) 844-0042</p> | | | | | | | |
| CUSTOMER: | | NOR HEADQUARTERS | | | | | |
| JOB NAME: | | SOILED TRAY HANDLING SYSTEM | | | | | |
| TITLE: | | CROSS SECTIONS | | | | | |
| DATE: | | JULY 19, 2001 | | | | | |
| SCALE: | | 1" = 1'-0" | | | | | |
| DRAWN BY: | | S.KRUPETSKY | | | | | |
| CHECKED BY: | | DRAWING NO: 02 | | | | | |



ALL IDEAS, DESIGNS, PLANS AND APPROVATIONS INDICATED BY AND ARE THE PROPERTY OF AEROWERKS AND ARE TO BE USED ONLY AND IN CONNECTION WITH THE PROJECTS AND DESIGNS OF AEROWERKS. NO PARTS, BEINGS OR APPROVED SHALL BE REPRODUCED, COPIED OR TRANSMITTED IN ANY FORM OR BY ANY MEANS, ELECTRONIC OR MECHANICAL, WITHOUT THE WRITTEN PERMISSION OF AEROWERKS.